



YEA SHIN TECHNOLOGY CO., LTD
CAN/LIN ESD Protection Diode

YCAN26A2YCS-A



Features

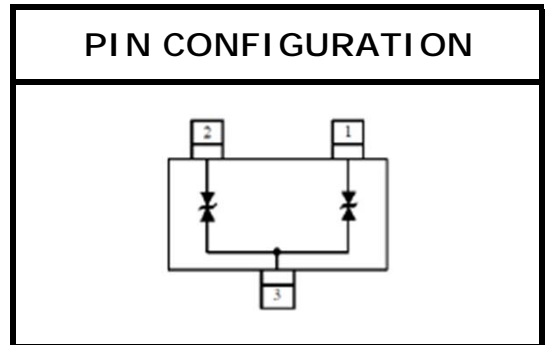
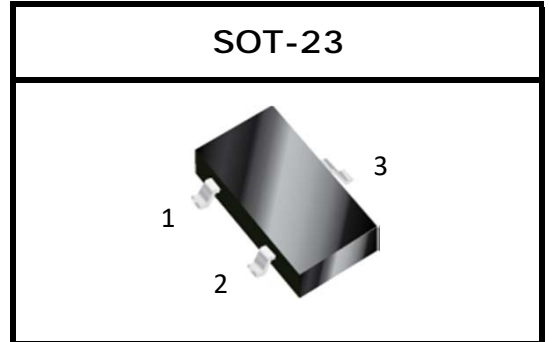
- Capacitance : 12pF (typ.)
- IEC61000-4-2 (ESD) : ±30kV (air)
- IEC61000-4-2 (ESD) : ±30kV (contact)
- IEC61000-4-5 (Lightning) : 3A (8/20 μs)
- Marking : AD4
- AEC-Q101 qualified

Main Applications

- Industrial Control Networks :
 Smart Distribution Systems (SDS®)
 DeviceNet™
- Automotive Networks :
 Low and High-Speed CAN
 Fault Tolerant CAN
- LIN bus protection

Ordering Information

Device	Qty per Reel	Reel Size
YCAN26A2YCS-A	3000	7 Inch



Maximum Ratings (TA=25°C unless otherwise noted)

Parameter	Symbol	Test conditions	Limit	Unit
ESD Rating per IEC61000-4-2	V _{ESD}	Contact	±30	kV
		Air	±30	
Peak pulse power	P _{PK}	tp = 8/20 μs	126	W
Peak Pulse current	I _{PP}	tp = 8/20 μs	3	A
Operating temperature range	T _J		-40~+ 125	°C
Storage temperature range	T _{STG}		-55~+ 150	°C

Electrical Characteristics (TA=25°C unless otherwise noted)

Parameter	Symbol	Test conditions	Min.	Typ.	Max.	Unit
Reverse working voltage	V _{RWM}		-	-	24	V
Breakdown voltage	V _{BR}	I _T =1mA	26.7	-	35	V
Reverse leakage current	I _R	V _{RWM} =24V	-	0.01	0.1	μA
Surge clamping voltage (tp=8/20us)	V _C	I _{PP} =3A	-	-	42	V
Junction capacitance	C _J	V _R =0V, f=1MHz	-	12	17	pF

DEVICE CHARACTERISTICS

YCAN26A2YCS-A

FIG. 1-I/V curve

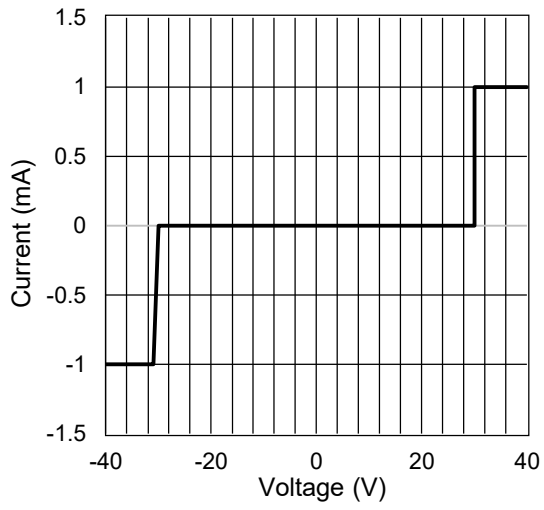


FIG. 2-Capacitance

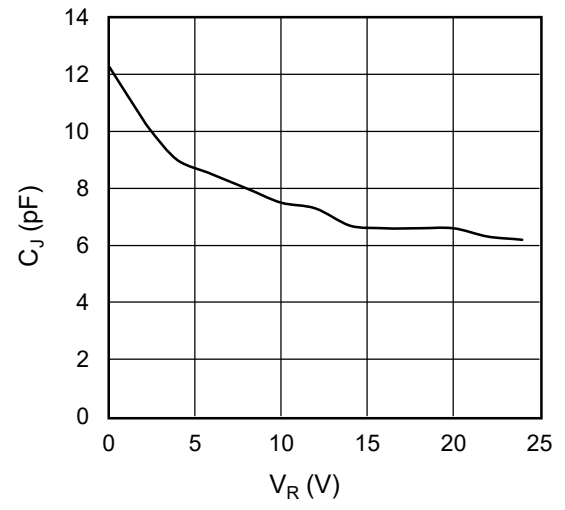
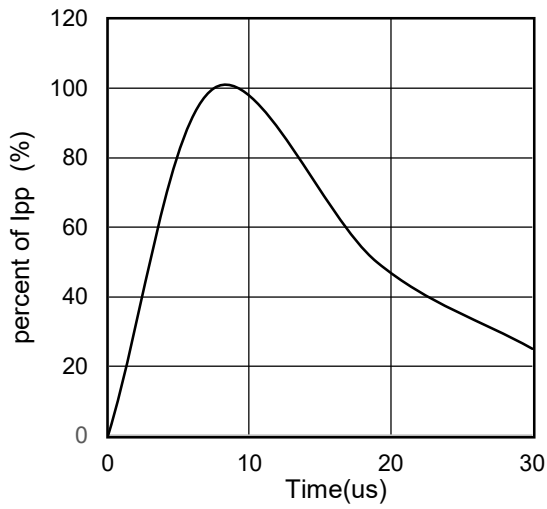


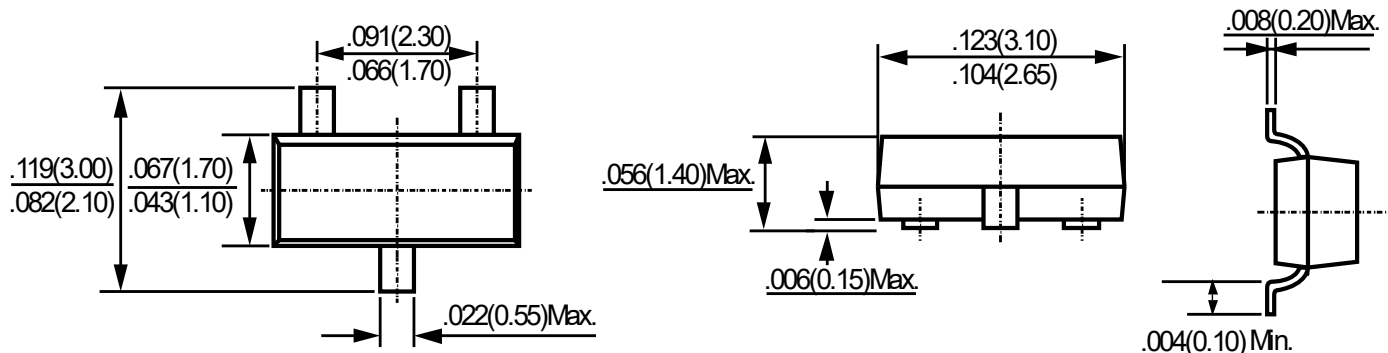
FIG. 3-Pulse Waveform



PACKAGE OUTLINE & DIMENSIONS

YCAN26A2YCS-A

Package Outline Dimensions



SOT-23

Dimensions in inches and (millimeters)

Suggested Pad Layout

Dimension	Outline	SOT-23 (mm)
A		2.90
C		0.80
D		0.90
E		2.00
F		1.35

